



Electric Forklift Trucks Capacity 5000 and 6000 lbs. RX60-25C and RX60-30C

SERIES RX60

Safety

To adapt to different operating conditions and customer requirements, all performance parameters are adjustable. The "ramp hold" function automatically keeps the truck in position on a grade without the operator stepping on the brake.

Unmatched Performance

Travel speed of 10 mph and lift speed of 100 fpm, enable this truck to operate in place of engine powered units. The truck features an automatic power boost to negotiate rail-road crossings, curbs, steep ramps or other obstacles. The boost briefly activates when the system senses demand.

Ergonomic Excellence

Power and durability mean very little if driver fatigue becomes a problem. That's why we designed the RX60 to minimize strain on the operator throughout the demanding work day. Keeping in mind the operator's comfort Linde has built-in a multitude of features, such as low noise level, floating operator compartment, tilted floor board, fully adjustable suspension seat, and adjustable steering column. All features are part of the trucks' comprehensive ergonomic design.

Linde Material Handling

Linde

Durability By Design

Durability is a Linde design objective. All components and assemblies are tested to meet rigorous longevity standards. Such as:

- The heavy duty cast steering axle represents a robust structure.
- Major electrical component placement inside the counterweight offers protection.
- The counterweight dissipates naturally occurring heat during operation.
- Thermal protectors monitor components and limit power output in case of excessive temperature.

Standard and optional equipment

Standard equipment:

80 volts electrical system
Dual pedal directional control
Cushion drive and steer tires
Floating operator compartment (shock mounted)
High comfort suspension seat
Quick-set parking brake
4-function hydraulic valve with mini lever and armrest
Dual head lights
Tow pin
Tiltable steering column

SB350 yellow connector
6 roller carriage

Options:

Single pedal directional control
Non marking tires
Traction speed reductions
Simple masts
Dual masts
Triple masts
Battery slides for side extraction
Fast charge assist option

Full cab heater/defroster
Hydraulic options
Backup alarm
Rear lights
Warning lights
Integrated sideshifter
Rotating seat option
Mirrors

Other options available on request

Technical data

June 2009

Characteristics	1.1	Manufacturer		Still	
	1.2	Model designation		RX60-25C	
	1.3	Power unit: battery, diesel, gasoline, LP gas, AC		Battery	
	1.4	Operation: manual, pedestrian, rider standing, rider seated, order picker		Rider seated	
	1.5	Load capacity	Q lb (kg)	5000	2500
	1.6	Load center (axle center to fork face)	c in (mm)	24	500
	1.8	Load distance (front overhang)	x in (mm)	16.54	420
	1.9	Wheelbase	y in (mm)	62.8	1595
	Weight	2.1	Service weight with min. battery	lb (kg)	10231 ²
2.2		Axle loading with load, front/rear	lb (kg)	13437 / 1795	6335 / 816
2.3		Axle loading without load, front/rear	lb (kg)	5264 / 4967	2393 / 2258
Wheels & Tires	3.1	Tire type - front/rear: C (cushion), SE (cushion super elastic), P (pneumatic)		Cushion	
	3.2	Tire size: front	in (mm)	22 x 8 x 16 ⁴	
	3.3	Tire size: rear	in (mm)	16 x 6 x 10.5	
	3.5	Wheels: number front/rear (x = driven)		2 x / 2	
	3.6	Track width, front	b10 in (mm)	38.43	976
	3.7	Track width, rear	in (mm)	34.65	880
	Dimensions	4.1	Mast/fork carriage tilt: forward/back	degrees	3.0 / 9.0
4.2		Height of mast lowered	h1 in	See mast table	
4.3		Free lift	h2 in	See mast table	
4.4		Lift	h3 in	See mast table	
4.5		Height of mast extended	h4 in	See mast table	
4.7		Height of overhead guard/cab	h6 in (mm)	87	2210
4.8		Height of seat	h7 in (mm)	44.8	1139
4.12		Height of tow coupling	h10 in (mm)	19.1	485
4.19		Overall length, with 48" forks	l1 in (mm)	139.65	3547
4.20		Length to fork face	l2 in (mm)	91.65	2328
4.21		Overall width	b1 in (mm)	46.61	1184 ⁴
4.22		Fork dimensions	s/e/l in	1.75 x 4 x 48 ³	
4.23		Fork carriage: class		Class 2	
4.24		Width of fork carriage	b3 in (mm)	40.9	1040
4.31		Ground clearance under mast, with load	m1 in (mm)	4.9	125
4.32		Ground clearance, center of wheelbase	m2 in (mm)	4.9	125
4.33	Aisle width (with 48" load)	Ast in (mm)	151.65 ¹	3854 ¹	
4.35	Turning radius (outer)	Wa in (mm)	79.65	2032	
4.36	Turning radius (inner)	b13 in (mm)	21.22	539	
Performance	5.1	Travel speed, with/without load	mph (km/h)	12 / 12.5	19 / 20
	5.2	Lifting speed, with/without load	fpm (m/s)	88 / 108	0.46 / 0.55
	5.3	Lowering speed, with/without load	fpm (m/s)	102 / 88	0.52 / 0.45
	5.5	Tractive force, with/without load	lb (N)	1798 / 1823	8000 / 8110
	5.6	Maximum tractive force, with/without load (5 min. rating)	lb (N)	3920 / 3871	17440 / 17220
	5.7	Climbing ability, with/without load (electric, 30 min. rating)	%	21.3 / 29.5	
	5.8	Maximum climbing ability, with/without load (5 min. rating)	%	25.5 / 29.7	
	5.9	Acceleration time with/without load	s	4.5 / 4.2	
	5.10	Service brake		Electric / Mechanical	
	Drive	6.1	Drive motor (60 min. rating)	hp (Kw)	20.1
6.2		Lift motor (15% rating)	hp (Kw)	21.8	16.3
6.3		Battery compartment dimensions (maximum)	in (mm)	28.6 x 40.95 x 32.1	727 x 1040 x 815
6.4		Battery voltage	V	80	
6.4.1		Battery capacity	Ah	500	
6.5		Battery weight (US battery) (minimum/maximum)	lb (kg)	3263 / 3607	1480 / 1636
Other	8.2	Working pressure for attachments	psi (bar)	3625	250
	8.3	Oil flow for attachments	gal/min (l/min)	7.9	30
	8.5	Tow coupling design type		Pin	

¹ Min. aisle width — with 48" load

² With 91/117.5 simple. Add 440 lbs. (200 kg) for 92.5/182.5 triple mast

³ Capacity ratings can be effected by changing forks, load center, and/or drive tires

⁴ Lift heights above 215" require 22 x 10 x 16 tires, overall width is 51.97" (1320 mm)

Capacity

RX60-25C

1.75" x 4" x 48" Forks³
Single Cushion Drive Tires 22 x 8 x 16
(except as noted)

Mast Capacity Table (in.)

h1	h3	h2	
84.00	115.00	00.00	Simple
86.00	119.00	00.00	Simple
92.00	131.00	00.00	Simple
84.00	122.00	62.00	Dual
86.00	126.00	64.00	Dual
98.00	150.00	75.00	Dual
84.00	176.00	62.00	Triple
86.00	182.00	64.00	Triple
90.00	194.00	68.00	Triple
98.00	218.00 ⁴	75.00	Triple
108.00	247.00 ⁴	85.00	Triple

Capacity (lb) @ 24" Load Center³

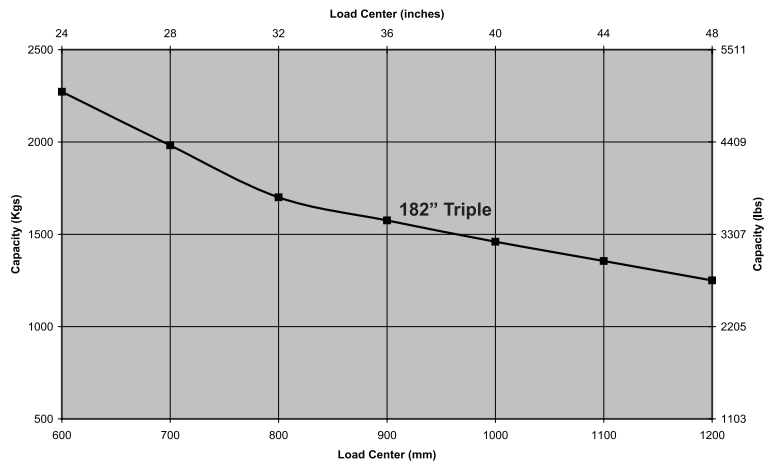
Std. Carriage	Integral SS Carriage	Hang-on SS Carriage*
5000	4625	4375
5000	4625	4375
5000	4625	4375
5000	4625	4375
5000	4625	4375
5000	4625	4375
5000	4625	4375
5000	4625	4375
4775	4625	4375
4550	4050	3800
4325	2975	2725

Still	
RX60-30C	
Battery	
Rider seated	
6000	3000
24	500
17.3	440
64.96	1650
11332 ²	5151 ²
15438 / 1894	7290 / 861
5678 / 5654	2581 / 2570
Cushion	
22 x 10 x 16	
16 x 6 x 10.5	
2 x / 2	
42	1066
34.65	880
3.0 / 9.0	
See mast table	
See mast table	
See mast table	
See mast table	
87	2210
44.8	1139
19.1	485
142	3606
94.61	2403
51.97	1320
1.75 x 5 x 48 ³	
Class 3	
43.3	1100
4.9	125
5.0	125
154.92 ¹	3935 ¹
82.48	2095
22.44	570
12 / 12.5	19 / 20
88 / 108	0.46 / 0.55
102 / 88	0.52 / 0.43
1726 / 1807	7680 / 8040
3832 / 3875	17050 / 17240
18.1 / 29.0	
21.7 / 29.0	
4.7 / 4.2	
Electric/Mechanical	
20.1	15
21.8	16.3
28.6 x 40.95 x 32.1	727 x 1040 x 815
80	
500	
3263 / 3607	1480 / 1636
3625	250
7.9	30
Pin	

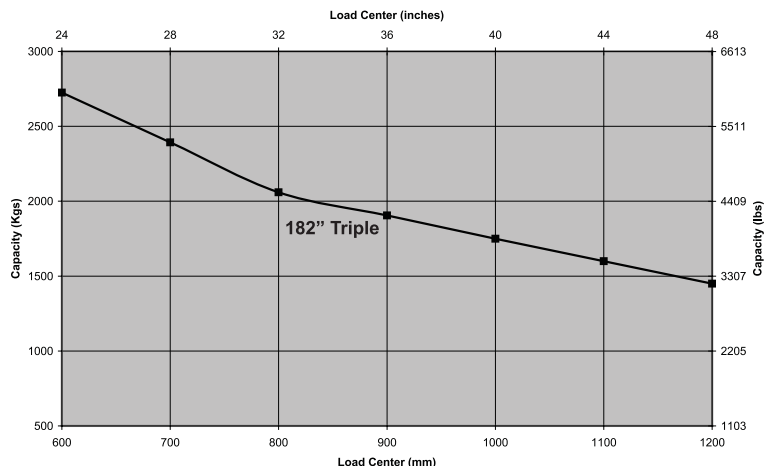
Downrating Charts

Reference cushion tires with standard carriage and forks only

RX60-25C Load Center Lift Capacity Diagram (182" Triple Mast)



RX60-30C Load Center Lift Capacity Diagram (182" Triple Mast)



For quick reference only, contact factory for detailed ratings.

RX60-30C

1.75" x 5" x 48" Forks³
 Single Cushion Drive Tires 22 x 10 x 16

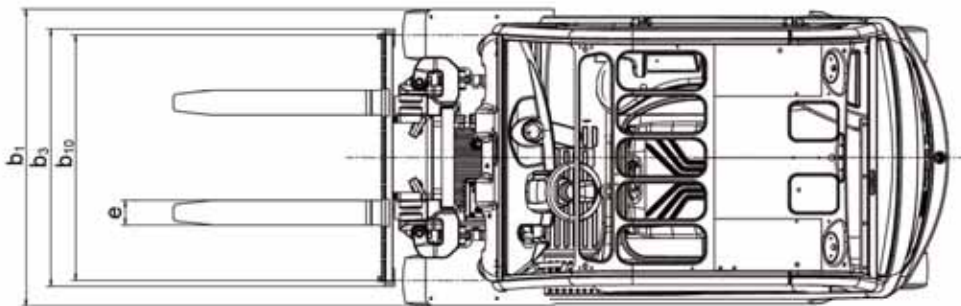
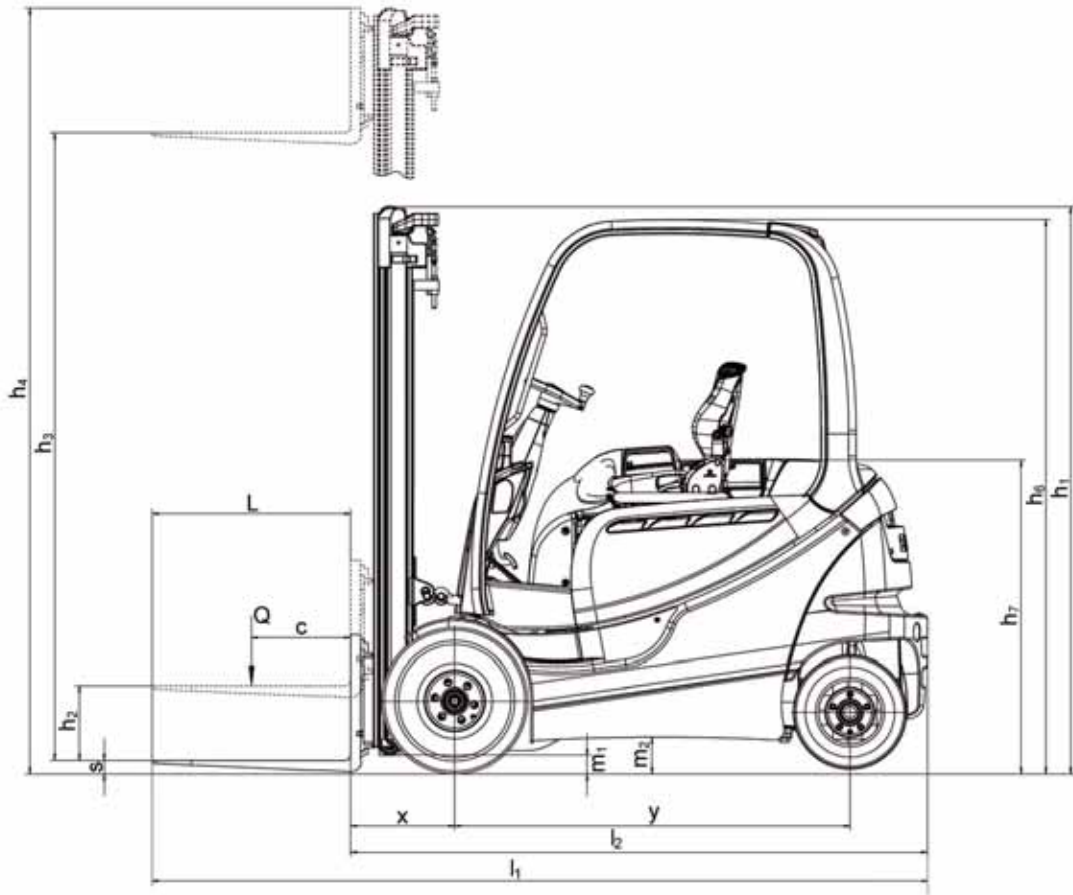
2 x 8 x 16

Center³
 Hang-on SS
 Carriage*

4375
4375
4375
4375
4375
4375
4375
4375
4375
3800
2725

Mast Capacity Table (in.)

	h1	h3	h2		Capacity (lb) @ 24" Load Center ³		
					Std. Carriage	Integral SS Carriage	Hang-on SS Carriage*
	84.00	115.00	00.00	Simple	6000	5625	5375
	86.00	119.00	00.00	Simple	6000	5625	5375
	92.00	131.00	00.00	Simple	6000	5625	5375
	84.00	118.00	62.00	Dual	6000	5625	5375
	86.00	122.00	64.00	Dual	6000	5625	5375
	98.00	145.00	75.00	Dual	6000	5625	5375
	84.00	176.00	62.00	Triple	6000	5550	5300
	86.00	182.00	64.00	Triple	6000	5550	5300
	90.00	194.00	68.00	Triple	5850	5550	5300
	98.00	218.00	75.00	Triple	5650	5325	5075
	108.00	247.00	85.00	Triple	5100	4450	4200



Versatile & Energy Efficient

Both indoor and outdoor operations are no problem for the RX60. When equipped with a full cab and an electric heater the RX60 functions in inclement weather like an engine truck. On the other hand, fitted with cold storage equipment, it also will work in freezers with temperatures as low as -20 degrees Fahrenheit.

While versatile in a variety of operating conditions the truck is also very efficient. With the highly effective energy return system battery life can be extended by up to 15%. As previously highlighted all high voltage components are mounted inside the counterweight. This design limits energy use while simultaneously extending component life.

With the "BlueZone" button pushed, the truck control system will automatically adjust operational parameters according to application specific usage. This system can save up to 20% energy, without sacrificing performance.

Low Maintenance

All machines require periodic maintenance but the RX60 needs it only every 1000 hours. Design features like, automatic deceleration, dual independent CAN-bus control systems, maintenance free brakes and continuous on-board diagnostics make it even easier to keep the RX60 in perfect working condition. The three phase AC system operates without brushes and is completely sealed, extending component life and reducing maintenance expense.

Features



80 Volts electrical system

- AC technology
- Enclosed motors
- Maintenance free

Linde twin drive pedals

- Quick directional change
- Short pedal stroke
- No leg fatigue
- Increased productivity



Energy efficiency

- Excellent heat dissipation
- Energy return system
- Fully programmable

Low maintenance

- Maintenance free multi-disc brakes
- 1000 hour intervals
- Continuous on-board diagnostics

Linde operator compartment

- Adjustable steering column
- Full graphic display
- Floating suspension

Linde truck control

- Dual independent CAN-bus systems
- Power boost
- Automatic deceleration
- Automatic performance adaptation "BlueZone"

Linde clearview mast

- Superb visibility
- Exceptional residual capacity

Safety

- Quick-set parking brake
- Ramp hold
- Side battery discharge

ANSI CLASSIFICATION: Standard truck meets all applicable mandatory requirements of ANSI/ITSDF B56.1 standards for powered industrial trucks.
NOTE: Performance data may vary due to motor and system efficiency tolerances. The performance depicted represents nominal values obtained under typical operating conditions. Metric dimensions are in millimeters unless otherwise specified.
All metric dimensions are not direct equivalents due to rounding data. The descriptions and specifications included on this data sheet were in effect at the time of printing. Linde Material Handling North America Corporation reserves the right to make improvements and changes in specification or design without notice and without incurring obligation. Please check with your authorized Linde dealer for information on possible updates or revisions.