

24 Volt, 3-phase AC technology for high performance and excellent reliability

Ideal for continuous use and heavy load applications due to robust chassis design

Easily maneuvered with the handle in the vertical position by pressing the crawl-speed button

Excellent travel stability with optional ProTracLink caster system

Multi-shift operation due to side battery extraction (available on EJE 225 E version only)



EJE 225

Electric Walkie Pallet Truck (6,000 lbs.)

The EJE 225 electric walkie pallet truck is specifically suited for intensive, high capacity, multi-shift applications, such as high volume distribution, ramp loading and heavy goods transport.

The key advantages:

- Innovative 1.6 kW, 3-phase AC drive motor for powerful acceleration and high speeds.
- Rugged chassis and load section for heavy-duty operation.
- Brake is automatically applied whenever travel is not requested, preventing unintentional ramp rollback.
- Advanced controllers for easy operation and greater efficiency.
- Excellent energy management results in lower operating costs.
- Industrial batteries provide longer operating times.

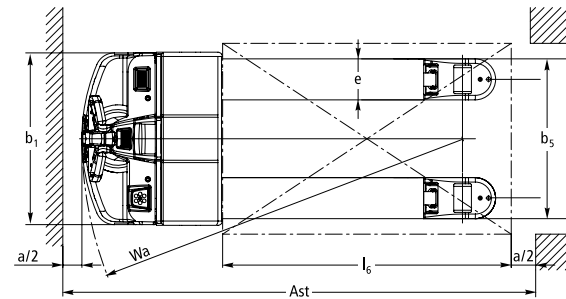
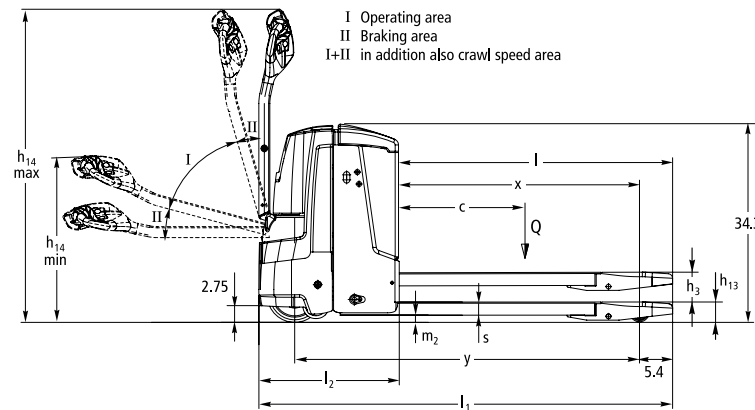
There are several ergonomic advantages as well. The long, low-mounted control handle maximizes the distance between the operator and the truck, ensuring the highest degree of security for the user at all times during normal operation. If space is at a premium, the standard crawl-speed button allows for maneuvering in tight areas with the handle in the vertical position. To activate, simply depress the crawl-speed button and the brake is released automatically, allowing controlled travel at a reduced speed.

A completely redeveloped control handle offers the operator a unique, state-of-the-art design. The raise and lower controls on each side of the handle are combined into a single, contactor-less rocker switch. This ergonomically-arranged design allows the operator to raise and lower the forks with the handle in virtually any position. Additionally, the handle head features an

IP (ingress protection) rating of 65, effectively sealing out dirt or moisture and prolonging component life.

The EJE 225 is available with two different battery compartment sizes. The medium compartment version is ideal for high use, 1-shift to 2-shift applications and accommodates industrial batteries up to 255 Ah. Its short turning radius allows the truck to easily maneuver in confined spaces. The optional 30 A integrated charger allows for on-the-go charging at any standard 110 / 120 Volt power outlet.

The large compartment version (EJE 225 E) accepts end-rider style industrial batteries up to 750 Ah. When combined with the side battery extraction option and Jungheinrich's innovative 3-phase AC technology, new operation solutions are possible.



				Jungheinrich		Jungheinrich	
				EJE 225		EJE 225E	
				medium compartment		large compartment	
				electric		electric	
				walkie		walkie	
Characteristics	1.1	Manufacturer		Jungheinrich		Jungheinrich	
	1.2	Model		EJE 225		EJE 225E	
	1.3	Drive		electric		electric	
	1.4	Type of operation		walkie		walkie	
Weights	1.5	Load capacity / rated load	Q	lbs	kg	6,000	2,722
	1.6	Load center distance	c	in	mm	24	600
	1.9	Wheelbase	y	in	mm	55.8 ¹⁾	1,417
	2.1	Service weight including minimum weight battery (see line 6.5)		lbs	kg	1,095	497
	2.2	Axle loading – loaded, drive / load		lbs	kg	2,400 / 4,900	1,058 / 2,160
Wheels, Chassis	2.3	Axle loading – unloaded, drive / load		lbs	kg	1,020 / 280	390 / 107
	3.1	Tires		PU (polyurethane)		PU (polyurethane)	
	3.2	Tire size, drive		in	mm	9.1 x 2.8	230 x 65
	3.3	Tire size, load		in	mm	3.3 x 4.3	82 x 110
	3.4	Additional wheels – dimensions		in	mm	3.9 x 1.6	3.9 x 1.6
Dimensions	3.5	Wheels – number, drive / load (x = driven wheels)		1x / 2		1x / 2	
	4.4	Maximum fork height (MFH)		h ₃	in	mm	8.2
	4.9	Handle height in drive position, minimum / maximum		h ₁₄	in	mm	31.7 / 52.0
	4.15	Lowered fork height		h ₁₃	in	mm	3.25
	4.19	Overall length		l ₁	in	mm	70.0
	4.20	Length to fork face, headlength		l ₂	in	mm	24.9
	4.21	Overall width		b ₁	in	mm	28.5
	4.22	Fork dimensions, thickness / width / length		s / e / l	in	mm	2.2 / 6.8 / 45.3
	4.25	Overall width across forks		b ₅	in	mm	26.4 / 21.3
	4.32	Ground clearance, center of wheelbase		m ₂	in	mm	1.1
Performance	4.34	Aisle width (for 48 x 40 pallets (L x W))		Ast	in	mm	82.1 ^{1) 2)}
	4.35	Turning radius		Wa	in	mm	63.9 ¹⁾
	5.1	Travel speed, loaded / unloaded		mph	kph	3.7 / 3.7	6.0 / 6.0
	5.2	Lift speed, loaded / unloaded		ft / min	m / s	9.3 / 13.8	0.047 / 0.07
	5.3	Lowering speed, loaded / unloaded		ft / min	m / s	12.4 / 11.8	0.063 / 0.06
Motors	5.8	Maximum gradeability, loaded / unloaded		%		10 / 20	
	5.10	Service brake				electric	
	6.1	Drive motor (rating S ₂ 60 minutes)		hp	kW	1.6	2.1
	6.2	Lift motor rating at S ₃ 10%		hp	kW	1.5	2.0
	6.4	Battery voltage		V		24	
Other Details	6.4	Battery, nominal capacity		Ah		150 – 375	
	6.5	Battery weight, minimum		lbs	kg	154	70
	8.4	Sound level at driver's ear		dB (A)		70	

1) Load section lowered: add 2.1 inches.
 2) Includes 8 inches of maneuvering space.
 Note: All dimensions with 48 inch (nominal) forks unless otherwise noted.

This specification sheet only provides technical values for the standard truck. Non-standard tires, different masts, additional equipment, etc., could produce other values. Rights reserved for technical changes and improvements.

The Jungheinrich Advantage



Ideal for transportation of heavy goods

Innovative 3-phase AC technology

Jungheinrich proprietary 3-phase AC motor technology provides increased efficiency and reduced operating costs. The following advantages maximize uptime and productivity:

- Outstanding efficiency due to excellent energy management.
- Powerful acceleration with a fully-rated load.
- Quick directional changes without hesitation.
- No carbon brushes or commutators to replace, resulting in reduced maintenance requirements.
- 2-year warranty on drive motor.

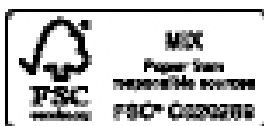
Rugged construction for the toughest applications

- Chassis made of high quality, 0.3 inch thick steel.
- Reinforced forks, constructed of solid bar-stock steel for extreme durability.

Long operating times

Battery capacities up to 750 Ah deliver longer operating times.

- Medium compartment: up to 255 Ah.
- Large compartment: up to 750 Ah.
- Optional integrated charger for fast, simple charging at any wall outlet (24 Volt / 30 A for both flooded and maintenance-free batteries up to 375 Ah).
- Side battery extraction for multi-shift operations (optional on large compartment E version only).



1-877-JH-FORKS
www.jungheinrich-lift.com



Side battery extraction on EJE 225 E

Optimum stability

Optional "ProTraLink" caster wheel system, linked via a cushioned torsion bar, distributes stabilizing forces based on travel conditions (i.e. evenly across all wheels during straight travel; concentrated on the outer support when turning the wheel).

Multi-function control handle

The control handle has been redeveloped to adjust to different operator requirements.

- Clearly marked operator controls and rocker switches, with tactile raise and lower indicators, allow for intuitive operation in any handle position.
- Angled control handle for natural, ergonomic operation.
- Crawl-speed button is positioned on the back of the control handle, for quick access and ease of operation when the handle is in the vertical position.
- The control handle protects against potential failure due to its contactor-less sensor system and IP65-rated dust and moisture protection.

Reduced maintenance

3-phase AC technology ensures significant long-term reduction of operating costs.

- Low-maintenance, 3-phase AC drive motor with no carbon brushes.
- Easy access to all components through the one-piece front cover.
- Optional "ProTraLink" stability caster wheel system helps reduce potential wheel damage during ramp operations due to its self-leveling adjustment.
- The torsion bar constantly keeps both support wheels at the same height, reducing the chance of catching or damaging the lower support wheel on the side of dock plates.



Ergonomic control handle

Well informed at any time

- Three color LED battery discharge indicator as standard or optional "CanDis" information display with enhanced visual charge indicator, hour-meter and service code display.
- Optional "CanCode" keypad allows for secure truck activation via PIN and includes three pre-set travel programs.
- When combined, CanDis and CanCode allow for quick adjustment of speed, acceleration and motor brake parameters without a laptop.

Available options

- EJE 225 E version with 13.58 inch large battery compartment.
- Battery compartment rollers (E version only).
- Freezer package.
- Load guard.
- Entry rollers.

Built in compliance with ANSI/ITSDF B56.1 design specifications for Type E industrial trucks with Type E battery in accordance to specifications in place at time of manufacture.

Parts when you need them

Jungheinrich's Parts Fast or Parts Free Guarantee ensures next-business-day delivery by 5:00 PM of all Jungheinrich parts in the United States, or they're free, including freight. For customers in Canada and Mexico, the guarantee ensures shipping of parts within 24 hours from the time the order was placed by the dealer. See your local Jungheinrich dealer for program details.

* Programs may be subject to change without notice and may vary by region. Please ask your local Jungheinrich dealer for complete terms and conditions.

JUNGHEINRICH
Machines. Ideas. Solutions.®