

Features

Original Linde hydrostatic drive

- Responsive, smooth and precise driving
- No differential, no service brakes, no mechanical transmission parts
- Low maintenance cost, long service life



Linde ProtectorFrame

- Safe and robust chassis
- Incorporated access areas
- Unparalleled operator protection

Linde dual travel control

- Quick directional changes
- Short pedal stroke
- Increased productivity
- Limited operator fatigue

Linde Load Control (LLC)

- Accurate, safe load handling
- Effortless control of all hydraulic functions
- Traction and hydraulics operate completely independent from each other

High-efficiency engine

- Low exhaust emissions
- Low fuel consumption
- Most up-to-date engine monitoring and operating technology
- 15.3 G capacity fuel tank (diesel)



Operator compartment

- Designed to stringent ergonomic standards
- Spacious cab with generous leg room
- Outstanding all-around visibility

Linde Truck Control (LTC)

- Highly reliable electronics
- Outstanding dependability due to dual monitoring systems
- Easily adjustable performance parameters

Linde clear-view mast

- Superb visibility
- Exceptional residual capacity
- Electronic limiting of tilt angle

ANSI Standard truck meets all applicable mandatory requirements of ANSI/TISDF B56.1 standards for powered industrial trucks. NOTE: Performance data may vary due to motor and system efficiency tolerances. The performance depicted represents nominal values obtained under typical operating conditions. Metric dimensions are in millimeters unless otherwise specified. All metric dimensions are not direct equivalents due to rounding data. The descriptions and specifications included on this data sheet were in effect at the time of printing. Linde Material Handling North America Corporation reserves the right to make improvements and changes in specification or design without notice and without incurring obligation. Please check with your authorized Linde dealer for information on possible updates or revisions.

linde_spec_394D/T_0811
USA_v2_082611_P00



Diesel and LPG Forklift Trucks
Capacity 8000, 9000 and 10000 lb
H40D/T, H45D/T, and H50D/T
SERIES 394

*some equipment shown (optional)

Linde Material Handling



Safety

This truck features the exclusive Linde ProtectorFrame overhead guard and frame system that offers unparalleled protection for the driver. The top mounted tilt cylinders allow for a mast design which maximizes all-around visibility, while optimizing truck stability.

Performance

Advanced engine and drive technology combined with the original Linde Load Control system enable the operator to utilize the truck's vast potential for greatest possible productivity. The exclusive Linde dual pedal travel control allows smooth directional changes and precise maneuvering, even in the tightest areas.

Comfort

A comfortable operator is a productive and safe operator. That's why the 394 series is designed to the latest ergonomic standards. A multitude of features such as the armrest, full suspension seat, ample foot room, and an adjustable steering column, are all part of a comprehensive effort to keep the operator comfortable and secure.

Low Maintenance & Outstanding Durability

Exclusive features like Linde hydrostatic drive, neoprene mounting of axles, and mast & tilt cylinders, all contribute extensively to low maintenance. The longest maintenance intervals in the industry are just one result of applied know-how and engineering. Even in the harshest applications this truck series offers a proven combination of reliability and durability resulting in long service life.

Linde Material Handling North America Corporation
2450 West 5th North Street, Summerville, SC 29483
Phone: (843) 875.8000 • Truck Sales Fax: (843) 875.8471
E-mail: trucksales@lmh-na.com • Web Site: www.lmh-na.com



Standard and optional equipment

Standard equipment:

Linde dual pedal travel control	Load backrest (LBR)
Linde Load Control (LLC)	Comprehensive, anti-glare display
High comfort, fully adjustable suspension seat	Overhead tilt cylinders
Tilt/telescopic steering column	Headlights
Low effort power steering	Zero maintenance mast and tilt cylinder mounting
Linde operator protector frame	3-function hydraulic control valve with "finger-tip control" handles and armrest with storage compartment.
High-performance hydraulic filters	Ultra sonic fuel level indicator (LP)
3-way regulated catalytic converter (LPG engine)	Linde engine protection system (LEPS)

Options:

Single pedal travel control	Cab/overhead guard protection kits
Simple, dual and triple masts and carriages	Additional lighting (LED, etc.)
Hang-on sideshifter	BU alarm
Various special fork sizes	Mirrors
Integrated sideshifter	Special packages; recycling, foundry, etc
Additional hydraulic functions	Tire options; twin, SE, radial
Tilt memory	Reduced speed settings
Variety of operator cabs	
Cab heater, defroster	
Air conditioning	Other options available on request

Capacity*

394 Series Model H40D/T

2" x 5" x 42" Forks**
Single SE 250-15 Drive Tires**

Mast Capacity Table				Capacity (lb) @ 24" Load Center**		
h1	h3	h2		Std. Carriage*	Integral SS Carriage*	Hang-on SS Carriage*
95.5	126.0	0.0	Simple	8000	8000	7390
99.5	134.0	0.0	Simple	8000	8000	7390
105.5	146.0	0.0	Simple	8000	8000	7390
111.5	157.5	0.0	Simple	8000	8000	7390
95.5	127.5	65.5	Dual	8000	8000	7390
99.5	135.5	69.0	Dual	8000	8000	7390
105.5	147.0	75.5	Dual	8000	8000	7390
109.5	155.0	79.5	Dual	8000	8000	7390
92.0	178.5	62.0	Triple	8000	8000	7390
93.5	184.5	63.5	Triple	8000	8000	7390
95.5	188.0	65.5	Triple	8000	8000	7380
99.5	199.5	69.5	Triple	7880	7880	7220
103.5	211.5	73.5	Triple	7585	7585	6945

394 Series Model H45D/T

2" x 5" x 42" Forks**
Single SE 300-15 Drive Tires**

Mast Capacity Table				Capacity (lb) @ 24" Load Center**		
h1	h3	h2		Std. Carriage*	Integral SS Carriage*	Hang-on SS Carriage*
97.5	126.0	0.0	Simple	9000	9000	8240
101.5	134.0	0.0	Simple	9000	9000	8340
107.5	146.0	0.0	Simple	9000	9000	8340
113.5	157.5	0.0	Simple	9000	9000	8340
98.0	127.5	61.5	Dual	9000	9000	8340
101.5	135.5	65.0	Dual	9000	9000	8340
107.5	147.0	71.0	Dual	9000	9000	8340
109.5	151.0	73.5	Dual	9000	9000	8340
111.5	155.0	75.0	Dual	9000	9000	8340
94.0	178.5	57.5	Triple	9000	9000	8340
96.0	184.5	59.5	Triple	9000	9000	8340
97.5	188.0	61.5	Triple	9000	9000	8340
101.5	199.5	65.5	Triple	8920	8785	8205
105.5	211.5	69.5	Triple	8680	7905	7905

394 Series Model H50D/T

2" x 6" x 42" Forks**
Single SE 300-15 Drive Tires**

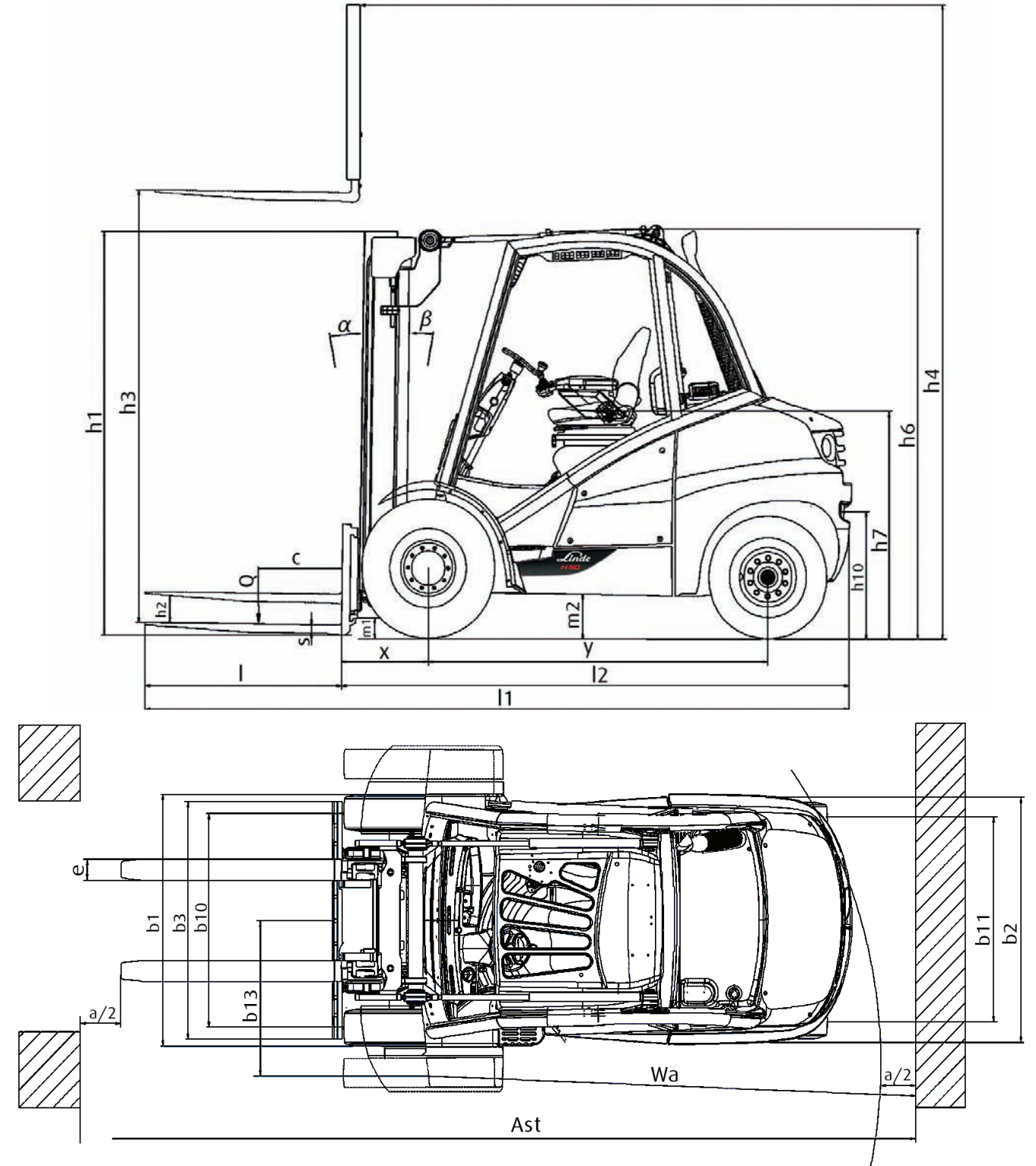
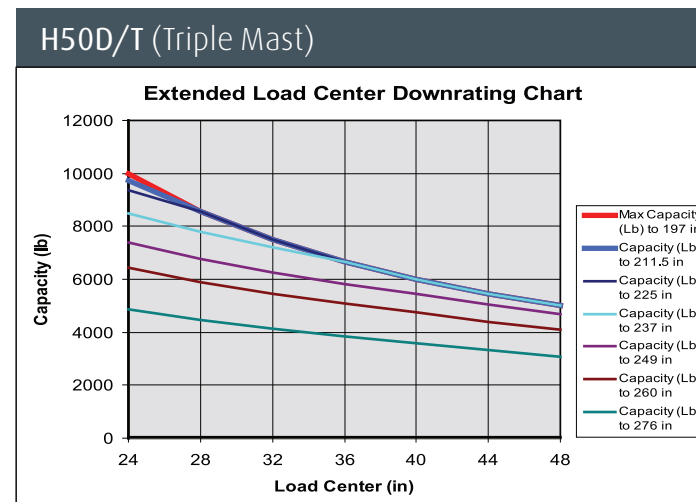
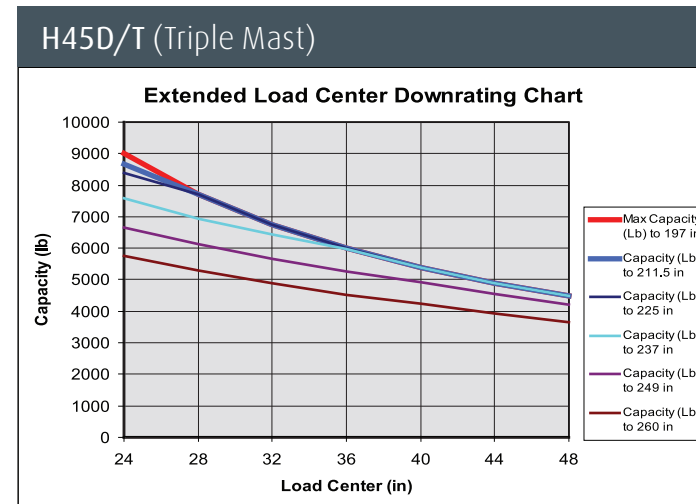
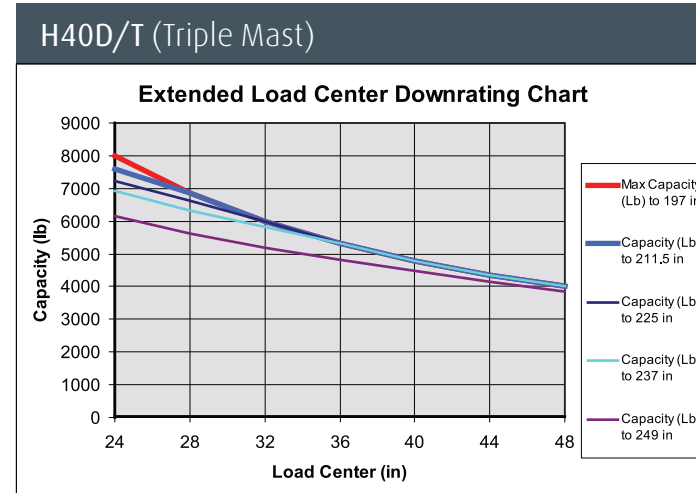
Capacity (lb) @ 24" Load Center**		
Std. Carriage*	Integral SS Carriage*	Hang-on SS Carriage*
10000	10000	9295
10000	10000	9295
10000	10000	9295
10000	10000	9295
10000	10000	9295
10000	10000	9295
10000	10000	9295
10000	10000	9295
10000	10000	9295
10000	10000	9295
10000	10000	9295
10000	10000	9295
10000	9245	9240
9725	8285	8285

* For quick reference only, contact factory for detailed ratings.

** Capacity ratings can be affected by changing forks, load center, and/or drive tires.

Downrating Charts*

Reference SE tires with standard carriage and forks only



Technical Data

SERIES 394 D/T
August 2011

		Linde		Linde		Linde							
		H40D	H40T	H45D	H45T	H50D	H50T						
Characteristics	1.1	Manufacturer						Linde	Linde	Linde			
	1.2	Model designation						H40D	H40T	H45D	H45T	H50D	H50T
	1.3	Power unit: battery, diesel, gasoline, LP gas, AC						Diesel	LP	Diesel	LP	Diesel	LP
	1.4	Operation: manual, pedestrian, rider standing, rider seated, order picker						Rider seated		Rider seated		Rider seated	
	1.5	Load capacity	Q (lb)	8000	8000	9000	9000	10000	10000				
	1.6	Load center	c (in)	24	24	24	24	24	24				
	1.8	Load distance (center of drive axle to fork face)	x (in)	19.02	19.02	20.67	20.67	21.06	21.06				
	1.9	Wheelbase	(in)	78.7	78.7	80.2	80.2	81.8	81.8				
	Weight	2.1	Service weight	(lb)	12665	12665	13977	13977	14506	14506			
2.2		Axle loading with load, front/rear	(lb)	18197 / 2468	18197 / 2468	20168 / 2809	20168 / 2809	21862 / 2645	21862 / 2645				
2.3		Axle loading without load, front/rear	(lb)	5820 / 6845	5820 / 6845	6155 / 7822	6155 / 7822	6349 / 8157	6349 / 8157				
Wheels & Tires	3.1	Tire type - front/rear: C (cushion), SE (cushion super elastic), P (pneumatic)						P ¹		P ¹			
	3.2	Tire size: front	(in)	250-15 / 18 PR		300-15 / 22 PR		300-15 / 22 PR					
	3.3	Tire size: rear	(in)	250-15 / 18 PR		250-15 / 18 PR		250-15 / 18 PR					
	3.5	Wheels: number front/rear (x = driven)		2 x / 2		2 x / 2		2 x / 2					
	3.6	Track width, front	b10 (in)	48.07 ²	48.07 ²	46.85 ²	46.85 ²	46.85 ²	46.85 ²				
3.7	Track width, rear	b11 (in)	44.17	44.17	44.17	44.17	44.17	44.17					
Dimensions	4.1	Mast/fork carriage tilt: forward/back	degrees (°)	5.0 / 9.0	5.0 / 9.0	5.0 / 9.0	5.0 / 9.0	5.0 / 9.0	5.0 / 9.0				
	4.2	Height of mast lowered	h1 (in)	See mast table		See mast table		See mast table					
	4.3	Free lift	h2 (in)	See mast table		See mast table		See mast table					
	4.4	Lift	h3 (in)	See mast table		See mast table		See mast table					
	4.5	Height of mast extended (includes LBR)	h4 (in)	h3 + 48"		h3 + 48"		h3 + 48"					
	4.7	Height of overhead guard/cab	h6 (in)	93.82 ³	93.82 ³	95.12 ³	95.12 ³	95.12 ³	95.12 ³				
	4.8	Height of seat	h7 (in)	48.3	48.3	49.8	49.8	49.8	49.8				
	4.12	Height of tow coupling	h10 (in)	27.7	27.7	28.6	28.6	28.6	28.6				
	4.19	Overall length with 42" forks	l1 (in)	159.48	159.48	162.71	162.71	164.68	164.68				
	4.20	Length to fork face	l2 (in)	117.48 ⁴	117.48 ⁴	120.71 ⁴	120.71 ⁴	122.68 ⁴	122.68 ⁴				
	4.21	Overall width, front/rear	b1/b2 (in)	56.93 ⁵ / 56.02	56.93 ⁵ / 56.02	57.01 ⁵ / 56.02	57.01 ⁵ / 56.02	57.01 ⁵ / 56.02	57.01 ⁵ / 56.02				
	4.22	Fork dimensions	s/e/l (in)	2 / 42 / 5	2 / 42 / 5	2 / 42 / 5	2 / 42 / 5	2 / 42 / 6	2 / 42 / 6				
	4.23	Fork carriage: class		Class 3	Class 3	Class 3	Class 3	Class 3	Class 3				
	4.24	Width of fork carriage	b3 (in)	53.1	53.1	53.1	53.1	53.1	53.1				
	4.31	Ground clearance under mast, with load	m1 (in)	6.2	6.2	8	8	8	8				
4.32	Ground clearance, center of wheelbase	m2 (in)	7.9	7.9	9.3	9.3	9.3	9.3					
4.33	Aisle width with 48" load	Ast (in)	179.33 ⁶	179.33 ⁶	182.4 ⁶	182.4 ⁶	184.25 ⁶	184.25 ⁶					
4.34	Aisle width, with other load lengths		123.43 ⁸	123.43 ⁸	127.28 ⁸	127.28 ⁸	129.13 ⁸	129.13 ⁸					
4.35	Outer turning radius	Wa (in)	105.2	105.2	106.61	106.61	108.07	108.07					
Performance	5.1	Travel speed, with/without load	(mph)	13 / 13	13 / 13	14.9 / 14.9	14.9 / 14.9	14.9 / 14.9	14.9 / 14.9				
	5.2	Lifting speed, with/without load	(fpm)	104.3 / 110	104.3 / 110	104.3 / 110	104.3 / 110	94.5 / 98.5	94.5 / 98.5				
	5.3	Lowering speed, with/without load	(fpm)	112 / 102	112 / 102	112 / 102	112 / 102	110 / 98.5	110 / 98.5				
	5.5	Drawbar pull, with/without load	(lbs)	6416 / 4624	6416 / 4756	5684 / 4910	5684 / 5024	5684 / 5030	5684 / 5179				
	5.7	Climbing ability, with/without load	(%)	29 / 34	28 / 33	22 / 32	22 / 32	21 / 32	20 / 32				
	5.9	Acceleration, with/without load	(sec)	5.7 / 4.8 ⁷	5.6 / 4.8 ⁷	6.0 / 5.2 ⁷	5.9 / 5.2 ⁷	6.2 / 5.5 ⁷	6.1 / 5.5 ⁷				
5.10	Service brake		Hydrostatic		Hydrostatic		Hydrostatic						
Engine	7.1	Engine manufacturer/type		VW-CBJ.B	VW / BMF	VW-CBJ.B	VW / BMF	VW-CBJ.B	VW / BMF				
	7.2	Engine rating	(hp)	73	73	73	73	73	73				
	7.3	Rated speed	(rpm)	2800	2800	2800	2800	2800	2800				
	7.4	Number of cylinders/Engine displacement	(cu inches)	4 / 121	6 / 194	4 / 121	6 / 194	4 / 121	6 / 194				
Other	8.1	Traction control		Hydrostatic		Hydrostatic		Hydrostatic					
	8.2	Working pressure for attachments	(psi)	2465	2465	2465	2465	2465	2465				
	8.3	Oil flow attachments	(gpm)	12.7	12.7	12.7	12.7	12.7	12.7				
	8.4	Noise level at driver's ear	(dB)	78	77	78	77	78	77				

Footnotes

¹ Optional tires available ² 59.02 with twin tires ³ Add 2" with top wiper ⁴ Add fork or load length ⁵ Add 21.93" for twin front tires ⁶ Including 48" load or forks, and 8" operational clearance ⁷ 0 mph to maximum speed ⁸ Add load length, add operational clearance